

# 6" Dual Cone Ceiling Speaker (3W-6W-10W)

## FCS-510

### Feature:

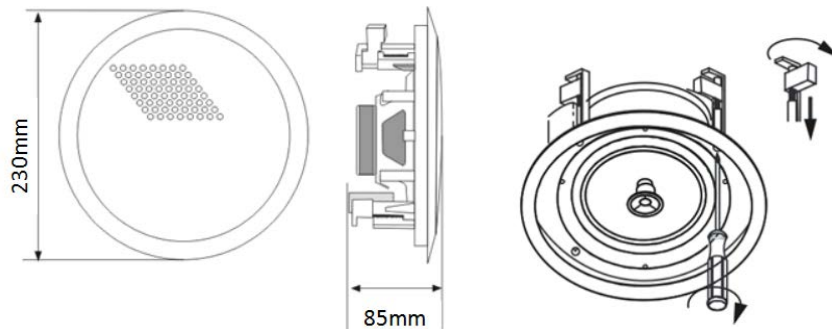
- ✓ Commercial ceiling speaker with transformer
- ✓ Ideal for school, office, hotel and airport BGM
- ✓ Rated power output 10W-6W-3W at 100V
- ✓ 6" dual cone full range paper woofer
- ✓ Line input of 100V or 70V
- ✓ ABS enclosure and metal grille in white
- ✓ Flush mount in-ceiling quick and secure installation



### Specification:

<b>Model</b>	<b>FCS-510</b>
<b>Description</b>	6" Dual Cone Ceiling Speaker
<b>Rated Power Output</b>	10W-6W-3W
<b>Line Input</b>	100V or 70V
<b>Frequency Response</b>	110-18KHz
<b>SPL(@1W/m)</b>	92dB
<b>Speaker Unit</b>	6" full range dual cone woofer
<b>Cutout Size</b>	195mm
<b>Dimension</b>	230(D)×85(H)mm
<b>Material</b>	ABS enclosure and metal grille in white
<b>Mounting Way</b>	Flush mount in-ceiling quick and secure installation
<b>Weight</b>	0.9kg

### Dimension & Mounting:



### Frequency Response & SPL Diagrams:

